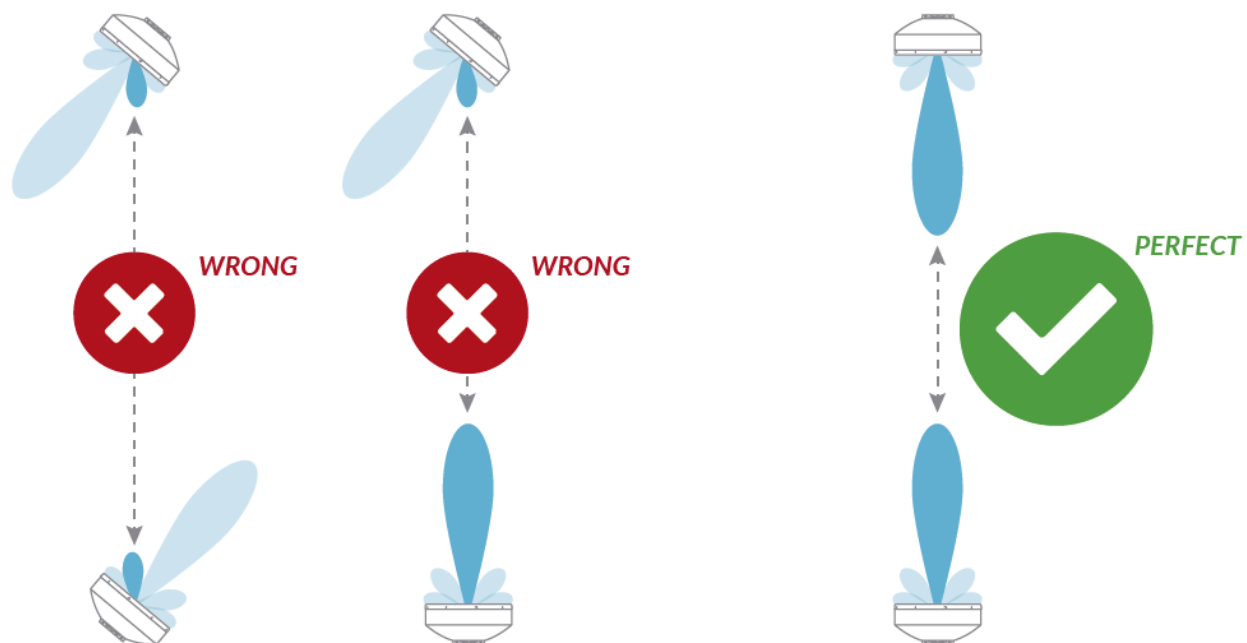


LINK ALIGNMENT

It is crucial that the link is aligned on the main lobe and not on the secondary lobes. To do so, try several times until you get the best link performance.



WARRANTY CONDITIONS

It is under installer's responsibility comply with the regulations applied to the installation, as well as following the instructions contained in this manual. Use only components and fasteners provided by ALGcom in the mounting kit.

Do at least one annual installation inspection to verify equipment conditions. Our products have a 3 years warranty from the date of invoice issuance.

To require the warranty, you must directly contact our CSR, by the contacts below:
 sac@algcom.com.br | +55 54-3201.1903

CONTACT US

SAC | Service of Attendance to the Customer: +55 54 3201 1903 | +55 54 99141 4754

WHERE TO BUY? sales@algcom.com.br | +55 54 3201 1903

SUPPORT VIA CHAT AND E-MAIL: www.ALGcom.com.br



PA ANTENNA - DISH ANTENNA



ATTENTION:

Read this manual carefully before installation or maintenance procedures, which must be made by trained professionals. In all operations, you should use PPE's that have been duly approved for this purpose.

Point-to-point antennas' line, with excellent shielding.

NAME	GAIN	FREQUENCY
PA-5800-32-09-DP	32 dBi	4.9 – 6,25 GHz

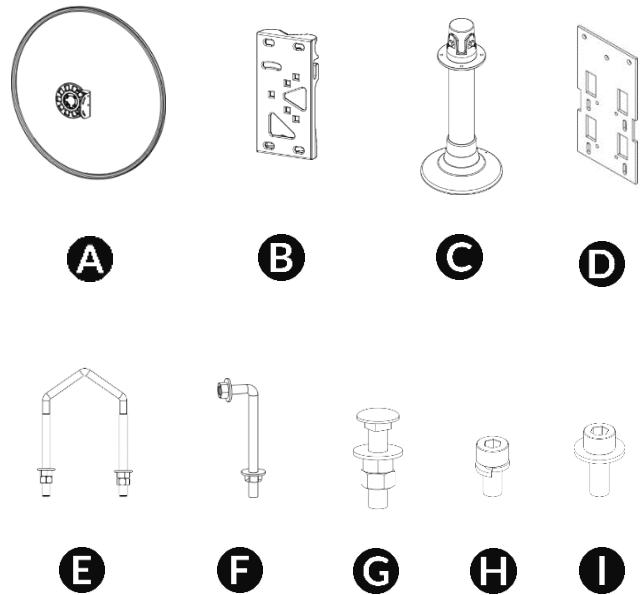
ALGcom Quality and Safety
WE HAVE A STRONG QUALITY POLICY



11510050159_V4

COMPONENTS

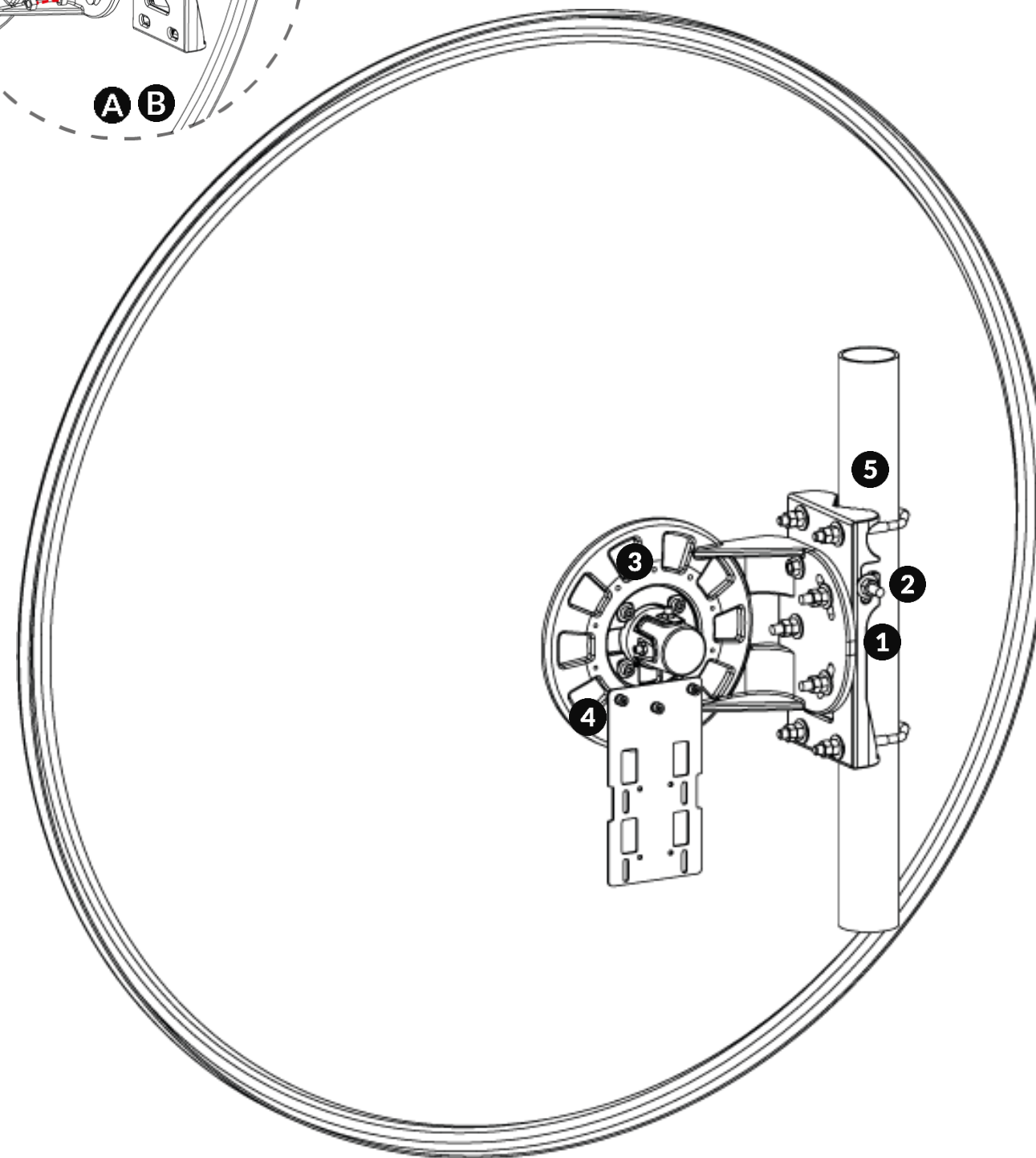
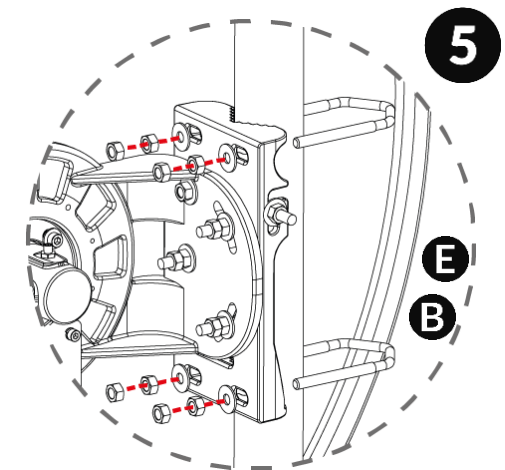
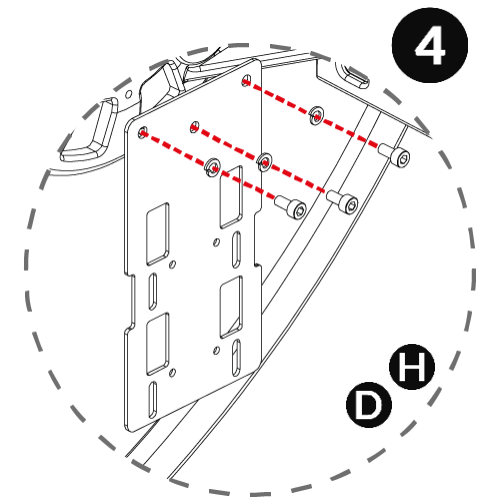
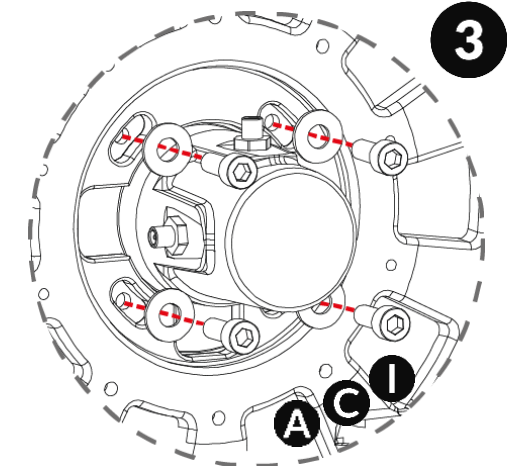
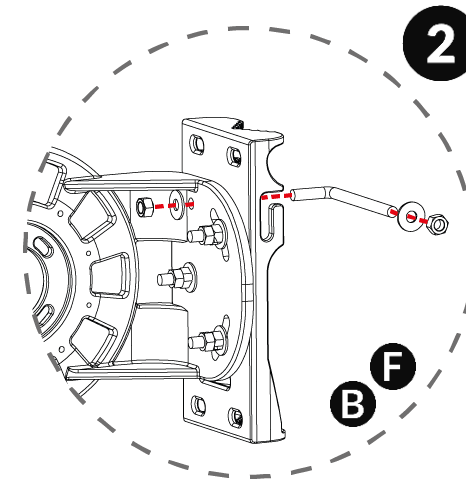
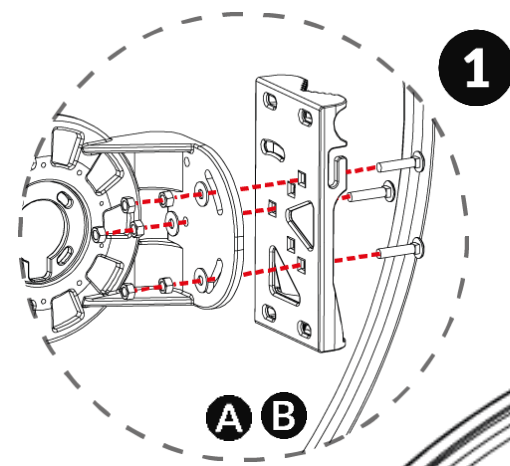
LETTER	DESCRIPTION	QUANTITY
A	REFLECTOR	1
B	MOUNTING HARDWARE	1
C	FEEDER	1
D	RADIO FIXING KIT	1
E	V BOLT 5/16"	2
F	5/16" L SCREW KIT	1
G	5/16" SCREW KIT	3
H	M5 SCREW	3
I	M6 SCREW	4



TOOLS

DESCRIPTION
1/2" Wrench
Allen Screw #4
Allen Screw #5
Phillips Screwdriver #2

ASSEMBLY MODE



Assembly of the model PA-5800-32-09-DP. Image dimensions may be different in size.