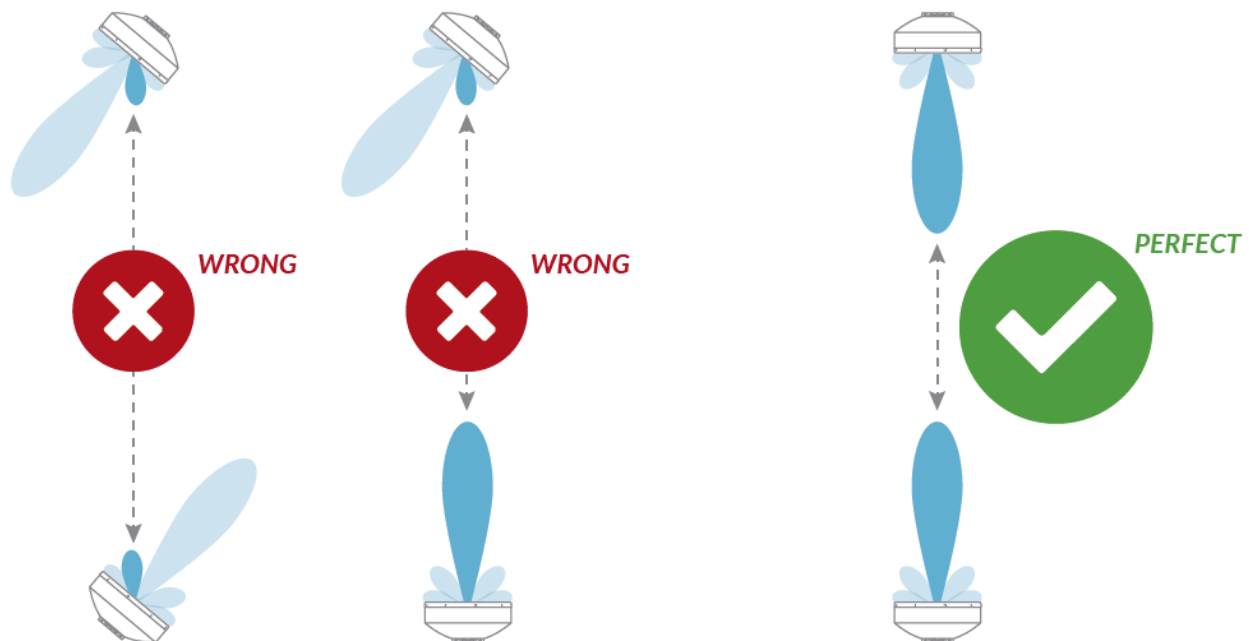


**LINK ALIGNMENT**

It is crucial that the link is aligned on the main lobe and not on the secondary lobes. To do so, try several times until you get the best link performance.



**WARRANTY CONDITIONS**

It is under installer's responsibility comply with the regulations applied to the installation, as well as following the instructions contained in this manual. Use only components and fasteners provided by ALGcom in the mounting kit.

Do at least one annual installation inspection to verify equipment conditions. Our products have a 3 years warranty from the date of invoice issuance.

To require the warranty, you must directly contact our CSR, by the contacts below:  
 sac@algcom.com.br | +55 54 3201 1903

**CONTACT US**

**SAC | Service of Attendance to the Customer:** +55 54 3201 1903 | +55 54 99141 4754

**WHERE TO BUY?** sales@algcom.com.br | +55 54 3201 1903

**SUPPORT VIA CHAT AND E-MAIL:** www.ALGcom.com.br



**FULL BAND PARABOLIC ANTENNA**



**ATTENTION:**

Read this manual carefully before installation or maintenance procedures, which must be made by trained professionals. In all operations, you should use PPE's that have been duly approved for this purpose.

Point-to-point antennas' line, with excellent shielding.

| NAME              | GAIN   | FREQUENCY       |
|-------------------|--------|-----------------|
| UHP-5800-32-09-DP | 32 dBi | 4,9 – 6,425 GHz |

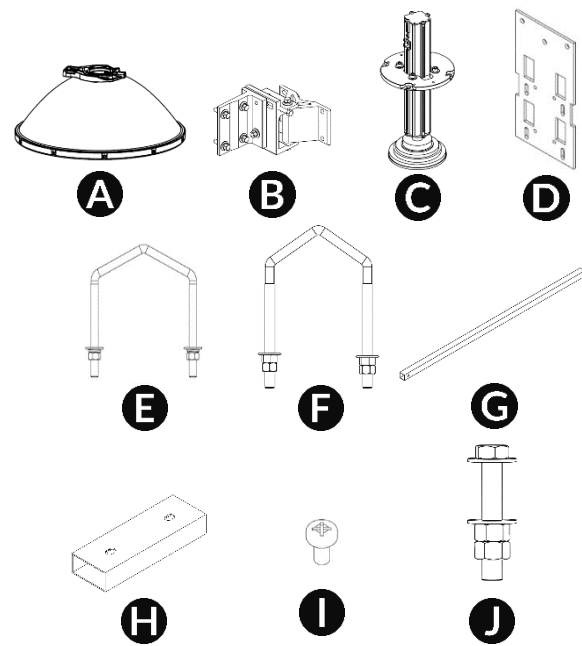
ALGcom Quality and Safety  
**WE HAVE A STRONG QUALITY POLICY**



11510050144\_V4

## COMPONENTS

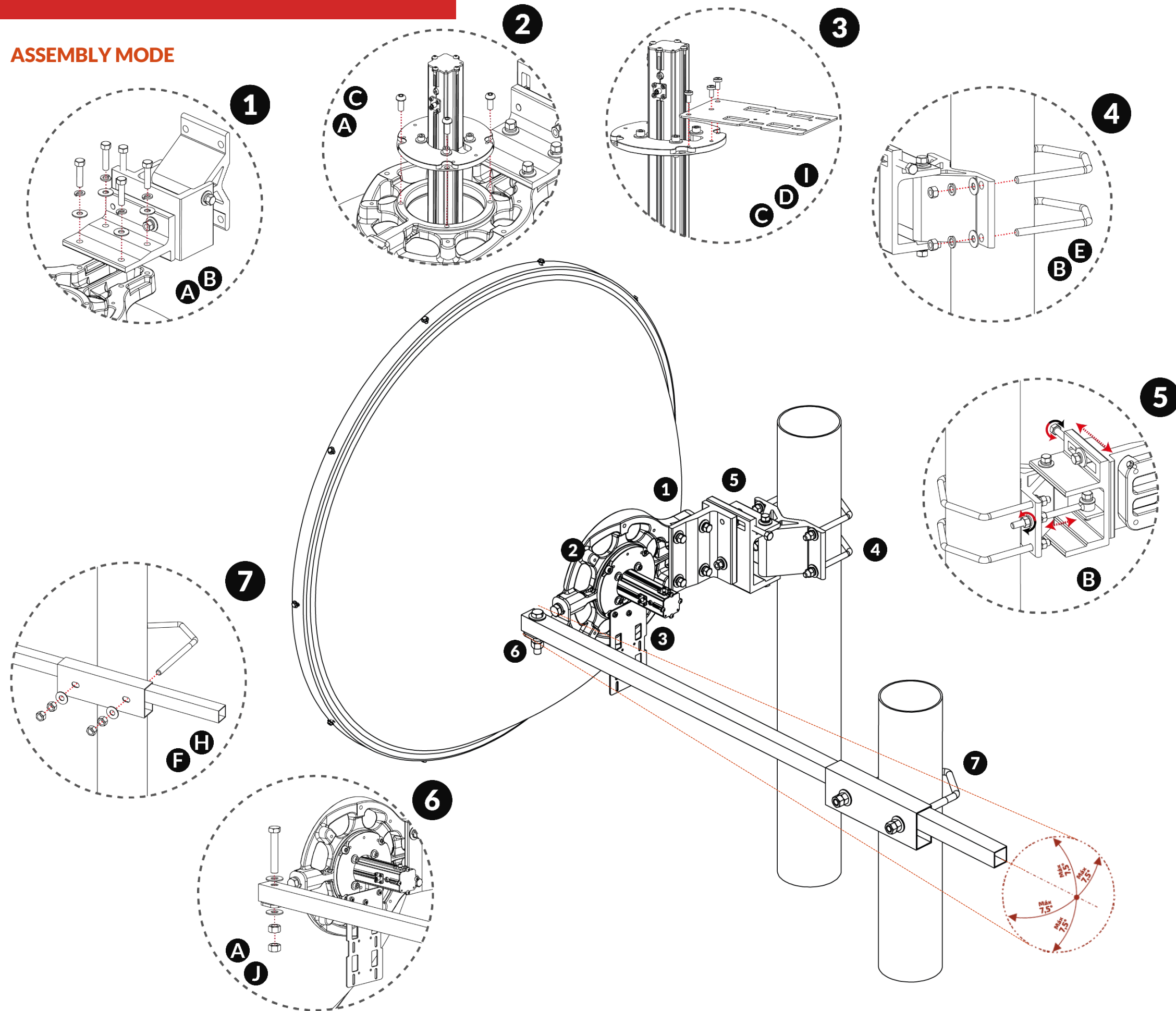
| LETTER | DESCRIPTION       | QUANTITY |
|--------|-------------------|----------|
| A      | REFLECTOR         | 1        |
| B      | MOUNTING HARDWARE | 1        |
| C      | FEEDER            | 1        |
| D      | FIXING KIT        | 1        |
| E      | V BOLT 3/8"       | 2        |
| F      | V BOLT 1/2"       | 1        |
| G      | ANTI-ROLL BAR     | 1        |
| H      | PIPE CLAMP        | 1        |
| I      | M5 SCREW          | 3        |
| J      | 1/2" SCREW KIT    | 1        |



## TOOLS

| DESCRIPTION             |
|-------------------------|
| Wrench #19              |
| Phillips Screwdriver #2 |
| 9/16" Wrench            |
| Allen Screw #5          |

## ASSEMBLY MODE



Assembly of the model UHP-5800-32-09-DP. Image dimensions may be different in size.